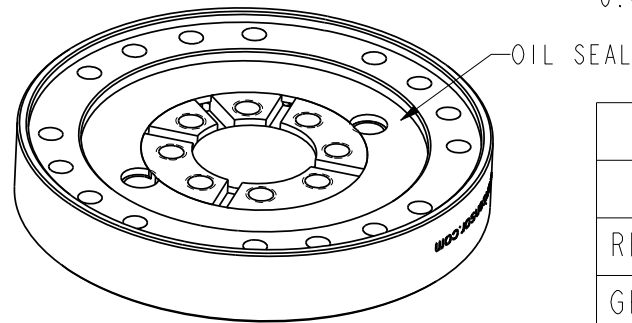


NOTE: THE OVERLOAD CAPACITIES FOR BENDING MOMENT, AXIAL AND RADIAL FORCE EXCEED 300% OF THOSE USED FOR CROSSTALK MEASUREMENT



### SPECIFICATIONS

CAPACITY (Nm)	40
OVERLOAD CAPACITY (%F.S.)	300
OUTPUT @ F.S. (V), AFTER AMPLIFIER	$2.5 \pm 2$
POWER SUPPLY (V)	5V
BRIDGE RESISTANCE ( $\Omega$ ) NOMINAL	350
NON-LINEARITY (%F.S.)	0.5
HYSTERESIS (%F.S.)	1.0
OPERATING TEMP. RANGE ( $^\circ\text{C}$ )	-20 TO +100
CROSSTALK (%F.S.)	1.0
AXIAL FORCE FOR CROSSTALK (N)	200
RADIAL FORCE FOR CROSSTALK (N)	200
BENDING MOMENT FOR CROSSTALK (Nm)	20
TORSION ANGLE (CALCULATED)	$0.04^\circ$
TORSIONAL STIFFNESS (KNm/RAD)	80
MASS (KG)	0.15

### WIRING CODE

COLOR	FUNCTION
RED	+EX
GREEN	+SIG
BLACK	GND
BROWN	-SIG

**SUNRISE INSTRUMENTS**

[www.srisensor.com](http://www.srisensor.com)

SINGLE AXIS TORQUE SENSOR  
 D63MM, 40Nm, LIGHT WEIGHT, FOR LHS-17

UNLESS OTHERWISE SPECIFIED  
 DIMENSIONS ARE IN MM

M2211H

REV.  
 0.1