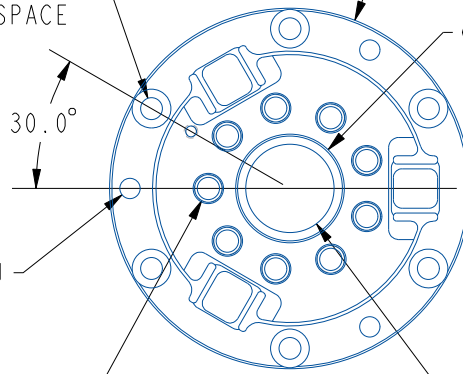


6X $\varnothing 3.20$ THRU
 $\perp \varnothing 5.70 \nabla 3.2$
 ON $\varnothing 47.00$ B.C.
 EQUAL SPACE

30.0°

3X $\nabla \varnothing 3.01^{+0.01}_0$ THRU
 ON $\varnothing 47.00$ B.C.

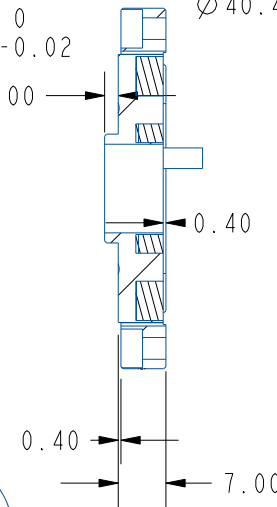
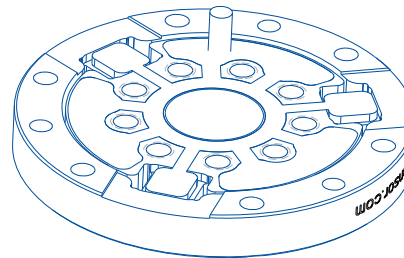
9X $\varnothing 4.05^{+0.02}_0 \nabla 2.50$
 ON $\varnothing 24.00 \pm 0.01$ B.C.
 M4 THRU, EQ SPACE



$\varnothing 53.00^{0}_{-0.05}$

$\varnothing 16.00^{0}_{-0.02}$

$\varnothing 13.00$



$\varnothing 40.40$

16.0

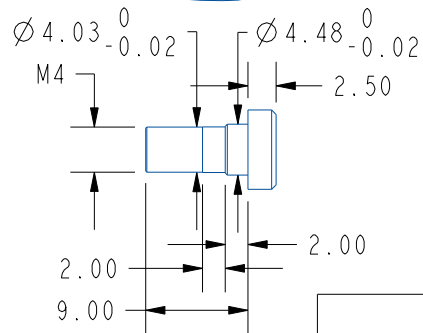
4.5

$\varnothing 3.0$
 CABLE 2M

NOTE: THE OVERLOAD CAPACITIES FOR BENDING MOMENT, AXIAL AND RADIAL FORCE EXCEED 300% OF THOSE USED FOR CROSSTALK MEASUREMENT

SPECIFICATIONS

CAPACITY (Nm)	50
OVERLOAD CAPACITY (%F.S.)	300
OUTPUT @ F.S. (V), AFTER AMPLIFIER	2.5±2
POWER SUPPLY (V)	5V
BRIDGE RESISTANCE (Ω) NOMINAL	350
NON-LINEARITY (%F.S.)	0.5
HYSTERESIS (%F.S.)	1.0
OPERATING TEMP. RANGE (°C)	-20 TO +100
CROSSTALK (%F.S.)	1.0
AXIAL FORCE FOR CROSSTALK (N)	250
RADIAL FORCE FOR CROSSTALK (N)	250
BENDING MOMENT FOR CROSSTALK (Nm)	25
TORSION ANGLE (CALCULATED)	0.04°
TORSIONAL STIFFNESS (KNm/RAD)	80
MASS (KG)	0.09



9X MODIFIED
 M4 SCREW



WIRING CODE

COLOR	FUNCTION
RED	+EX
GREEN	+SIG
BLACK	GND
BROWN	-SIG

SUNRISE INSTRUMENTS

www.srisensor.com

SINGLE AXIS TORQUE LOADCELL
 D53MM, 50 Nm

UNLESS OTHERWISE SPECIFIED
 DIMENSIONS ARE IN MM

M2210A9

REV.
 A